

OVERVIEW

The purpose of this addendum is to inform you of a low voltage signal filtering feature on the Multi-Flow and On-Premise dispensing systems that is not covered in the instruction manual you have. All other functions of these systems will remain the same.

The signal filtering capability can help prevent unwanted injections caused by stray signals or “bleed” voltages. Typically you will have only one signal common, however, if using “split commons”, each common can be independently set to filter signals.

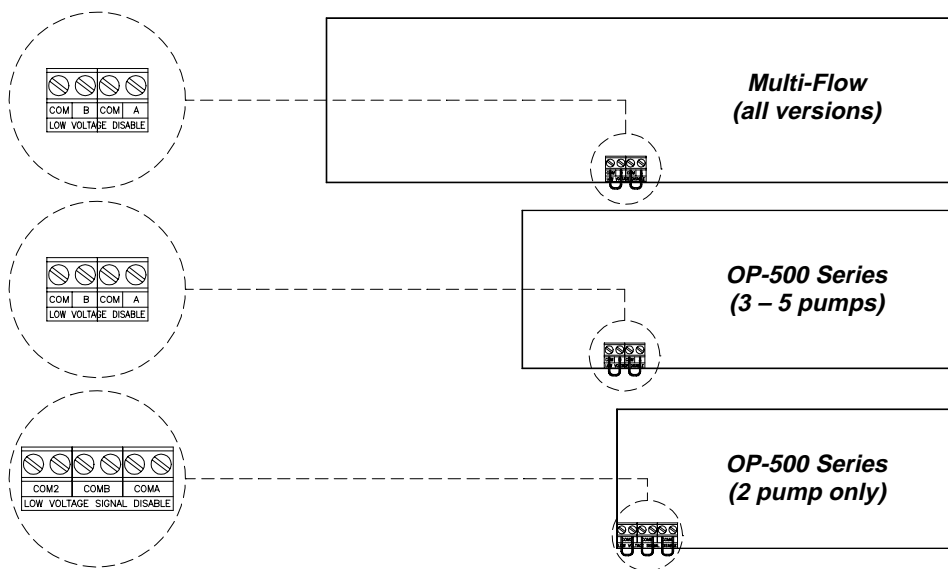
OPERATION

The signal filter is activated by removing a jumper wire on the pump circuit board. There is one jumper wire for common A and one for common B (if required). See the diagram below for location of the jumper wires.

- When the jumper wire is removed, the signal input range is 70 – 240 volts.
- With the jumper wire in place (normal) the signal input range is 24 – 240 volts.
- Do not connect any signal wires or common wires to the terminals where the jumper wires go.

The following steps apply to both the Multi-Flow and On-Premise Series

- (1) Locate the signal filtering jumper wires using the diagram below for reference.
- (2) To filter signals that use common A, remove the jumper wire from the terminals marked “COM A LOW VOLTAGE DISABLE”.
- (3) To filter signals that use common B (if required), remove the jumper wire from the terminals marked “COM B LOW VOLTAGE DISABLE”.
- (4) For OP-502 custom applications only: To filter signals that use common 2 (if required), remove the jumper wire from the terminals marked “COM 2 LOW VOLTAGE DISABLE”.



DISCLAIMER

Knight Inc. does not accept responsibility for the mishandling, misuse, or non-performance of the described items when used for purposes other than those specified in the instructions. For hazardous materials information consult label, MSDS, or Knight Inc. Knight products are not for use in potentially explosive environments. Any use of our equipment in such an environment is at the risk of the user, Knight does not accept any liability in such circumstances.

WARRANTY

All Knight controls and pump systems are warranted against defects in material and workmanship for a period of ONE year. All electronic control boards have a TWO year warranty. Warranty applies only to the replacement or repair of such parts when returned to factory with a Knight Return Authorization (KRA) number, freight prepaid, and found to be defective upon factory authorized inspection. Bearings and pump seals or rubber and synthetic rubber parts such as "O" rings, diaphragms, squeeze tubing, and gaskets are considered expendable and are not covered under warranty. Warranty does not cover liability resulting from performance of this equipment nor the labor to replace this equipment. Product abuse or misuse voids warranty.

KNIGHT INC. A Unit of IDEX Corporation

World Headquarters: 20531 Crescent Bay Drive, Lake Forest, CA 92630-8825 (USA) TEL: 949-595-4800, FAX: 949-595-4801, www.knightequip.com

Atlanta Branch: 415 Gees Mill Business Court NE, Suite 200 Conyers, GA 30013 USA TEL: 770-760-8777 FAX: 770-761-0199	Toronto Branch: 2880 Argentia Road, Unit 6 Mississauga, Ontario L5N 7X8 Canada TEL: 905-542-2333 FAX: 905-542-1536	London Branch: #15 Brunel Centre Newton Road, Crawley West Sussex UK RH10 9TU TEL: 44-1293-615570 FAX: 44-1293-615585	Sydney Branch: Unit 28, 317-321 Woodpark Rd., Smithfield NSW Australia 2164 TEL: 61-29-725-2588 FAX: 61-29-725-2025	Amsterdam Branch: Marssteden 68 7547 TD Enschede The Netherlands TEL: 31-53-428-58-00 FAX: 31-53-428-58-09	Spain Branch: Port Ginesta, Local 210 08860 Sitges Barcelona Spain TEL: 34-936-342-130 FAX: 34-936-643-477
---	---	--	--	---	---